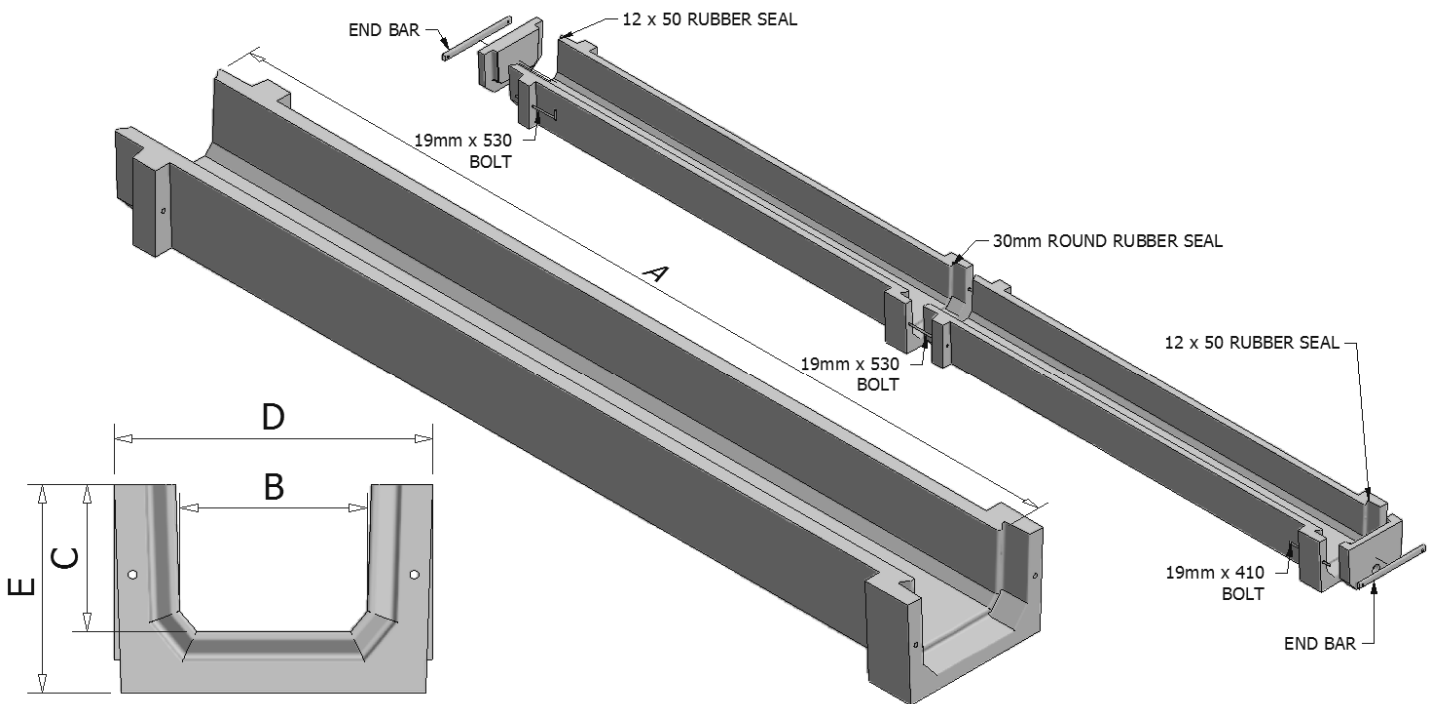


# CHANNEL SECTION

- Can be used for water or feed troughs.
- Single lengths can be joined together for increased capacity.
- 100mm Brass drainage plug + removable ends for easy cleaning.
- Non corrosive stainless steel bolts
- Able to be laid on flat ground.
- Can be used for industrial drainage farms, factories, mines, storm water diversion in low yielding areas and irrigation.



CODE	DEPTH X WIDTH	A	B	C	D	E	APPROX. WEIGHT
174	400 X 550	5485	555	405	920	585	1700kg
172	500 X 700	5240	705	500	1060	680	2160kg