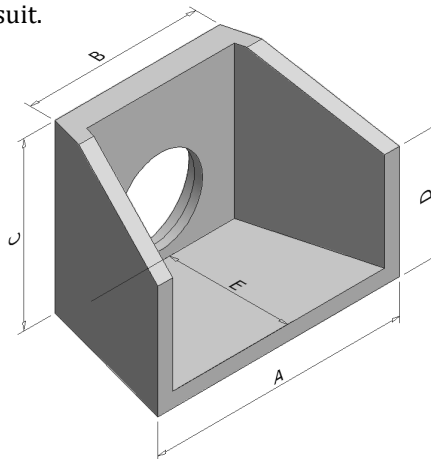
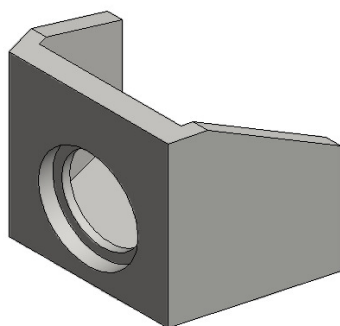


# HEADWALL/PIPE END DIMENSIONS

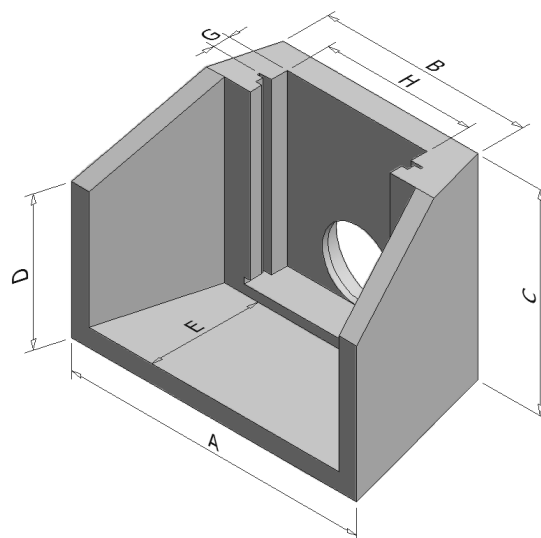
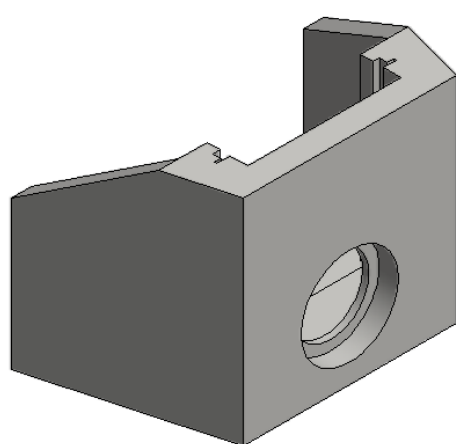
- Wide range of sizes are manufactured to fit from 150mm to 1800mm inside diameter pipes.
- Can be used to eradicate erosion in a lift pump situation.
- Frequently used in access crossings, subdivisions and road works.
- Also available in full neoprene to give a water tight seal able to take a steel door.
- Available with step for board control allows overflow to maintain you channel water level.
- New design has a self cleaning groove to remove debris from door slide.
- Easy pipe installation with either a rubber ring or emer seal eliminating the need for any grouting.
- Multi-cell headwalls available to order.
- Quick lift & A-Frame systems available to suit.



CODE	PIPE INT. DIAM MM	HOLE SIZE MM	A MM	B MM	C MM	D MM	E MM	APPROX. WEIGHT
1493	PVC	150	750	460	400	300	270	105kg
1495	250	310	1030	770	660	460	330	205kg
1510	300	380						
1540	350	420						
1547	375	465						
1551	400	490						
-	300	380	1320	1000	840	580	450	385kg
-	350	420						
1558	375	465						
1561	400	490						
1570	450	545						
1650	450	545	1450	1040	940	670	550	495kg
1680	525	630						
1770	600	715	1700	1200	1140	800	580	700kg
1800	700	830						
1816	750	895	1930	1400	1370	1000	770	1090kg
-	800	920						
1830	825	945						
1860	900	1070	2170	1600	1570	1080	950	1600kg
1890	1050	1210	2350	1700	1900	1300	1040	2250kg
1950	1200	1380	2850	2000	2200	1450	1100	2910kg
1980	1350	1510						
2000	1500	1680						
2010	1500	1680	3700	2450	3000	2150	2150	9000kg
2025	1800	2000						

# HEADWALL/PIPE END DIMENSIONS

## WITH DOOR OR BOARD CONTROL



CODE BOARD/BOARD & DOOR	PIPE INT. DIAM MM	HOLE SIZE MM	A MM	B MM	C MM	D MM	E MM	G MM	H MM	APPROX. WEIGHT
1554/1555	300	380	1250	840	840	580	460	85	620	465kg
1556/1557	350	420								
1559/1560	375	465								
1562/1563	400	490								435kg
1572/1573	450	545								
1662/1663	450	545	1490	920	940	670	560	90	620	655kg
1692/1693	525	630								
1722/1723	525	630	1460	1040	1140	810	620	100	735	860kg
1782/1783	600	715								
1812/1813	700	830								
1815/1817	750	895	1800	1220	1370	1000	780	110	900	1200kg
-	800	920								
1820/1840	825	945								
1850/1870	900	1070	2150	1440	1570	1100	1000	120	1020	1970kg
1880/1900	1050	1210	2370	1560	1900	1320	1050	130	1170	2690kg
1940/1960	1200	1380	2920	1860	2200	1530	1230	140	1400	4210kg
1970/1990	1350	1510								