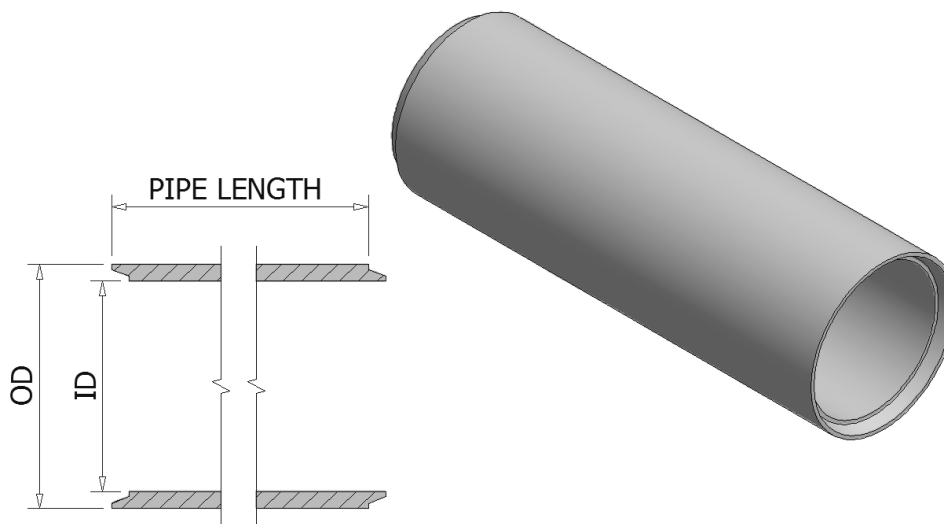


INTERLOCKING/BUTT PIPES

- Designed with a 'male' & 'female' end for ease of functionality.
- Used for irrigation needs; supply drainage, sumps & crossings.
- Available with pipe sealing bands where pipelines need to be flexible.
- Manufactured to AS/NZS 4058:2007 Pre-cast concrete pipes (pressure & non-pressure) standards.



CODE	SIZE ID	SIZE OD	JOINED LENGTH	APPROX. WEIGHT
2470	230	285	2000	130kg
2490	250	310	2500	190kg
2500	300	360	2500	290kg
2510	350	415	2500	360kg
2515	375	460	2500	375kg
2520	400	472	2500	410kg
2540	450	524	2500	460kg
2550	525	615	2500	540kg
2570	600	697	2500	700kg
2580	700	810	2500	880kg
2585	750	825	2490	1500kg
2590	800	922	2500	1130kg
2595	825	947	2500	1225kg
2600	900	1025	2500	1390kg
2610	1050	1184	2500	1750kg
2620	1200	1350	2500	2100kg
2630	1350	1513	2500	2600kg
2640	1500	1700	2500	3750kg