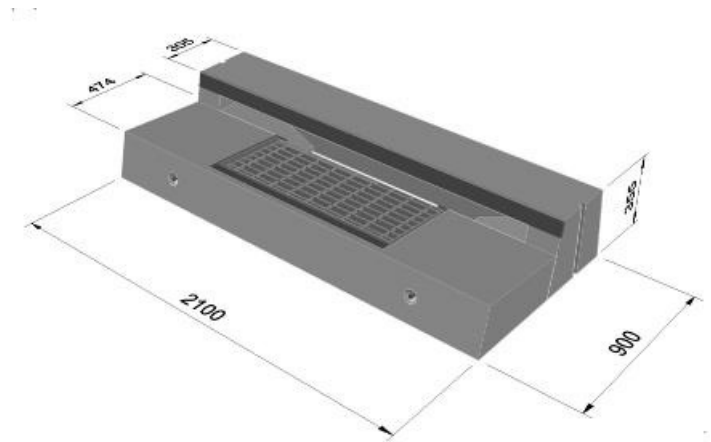


LINTELS

- Designed to take storm water drainage from road curbs.
- Made to withstand heavy vehicle loads with heavy duty galvanized grates.
- Suits pre-cast storm water inlet pit for easy installation.
- Available in plain style, middle right and left openings to accommodate for the water flow direction.
- Lintel without base/apron also available to allow for the ability to pour on site for custom application.
- 2.4M Lintel measurements are consistent with those of the 2.1m lintel with the only alteration the overall length.

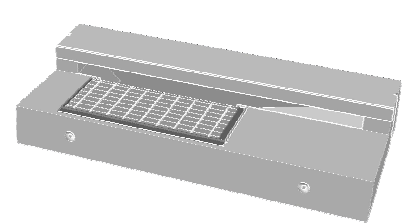
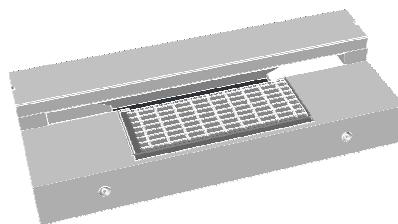
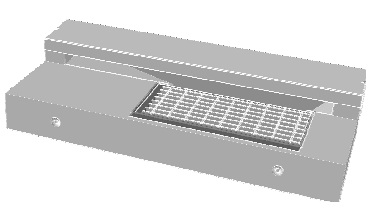


CODE	PRODUCT	APPROX. WEIGHT
1401	1.5m Lintel with Apron—No Grate	695kg
1402	1.5m Lintel with 75cm Grate	575kg
1403	1.5m Lintel with 90cm Grate—1.2m Opening	555kg
1404C	2.1m Lintel with 90cm Centre Grate—1.8m Opening	860kg
1404L	2.1m Lintel with 90cm Left Hand Grate—1.8m Opening	860kg
1404R	2.1m Lintel with 90cm Right Hand Grate—1.8m Opening	860kg
1406	V Dish Drain Grate HD Hinged (60cm x 90cm) Type C	-
1410	1.8m Lintel No Apron—No Grate	250kg
1405C	2.4m Lintel with 90cm Centre Grate—2.1m Opening	-
1405L	2.4m Lintel with 90cm Left Hand Grate—2.1m Opening	-
1405R	2.4m Lintel with 90cm Right Hand Grate—2.1m Opening	-

RIGHT

CENTRE

LEFT



LINTEL—PLAIN (NO GRATE STYLE)

