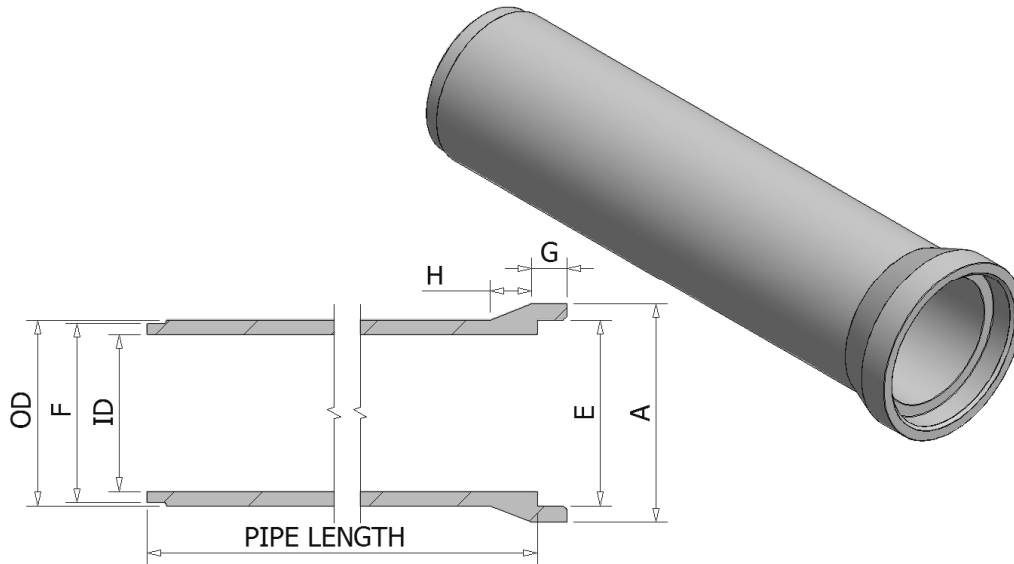


RUBBER RING JOINT PIPE

- Quality reinforced flanged pipe for irrigation.
- Rubber ring coupling gives flexibility to eliminate joint cracks.
- Allows for ground movement after Installation.
- Available in strength classes made to suit your irrigation needs.
- Manufactured to AS/NZS 4058:2007 Pre-cast concrete pipes (pressure & non-pressure) standards.



CODE	PIPE ID MM	SIZE OD MM	JOINED LENGTH	A MM	E MM	F MM	G MM	H MM	APPROX. WEIGHT
2880	300	365	2400	490	382	355	100	140	270kg
2883	375	430	2400	585	465	440	120	135	380kg
2885	400	475	2400	605	490	465	120	140	395kg
2890	450	525	2400	655	540	515	100	150	470kg
2900	525	620	2400	747	628	600	120	160	600kg
2902	600	700	2400	835	710	685	135	190	780kg
2903	700	814	2400	960	827	805	130	200	1030kg
2904	750	875	2350	1040	895	865	140	220	1170kg
2905	825	965	2370	1140	980	950	150	245	1270kg
2906	900	1035	2355	1245	1070	1020	150	250	1680kg
2907	1050	1185	2330	1400	1225	1170	165	245	2000kg
2908	1200	1360	2315	1580	1385	1345	165	300	2380kg
2910	1350	1585	2265	1775	1560	1555	255	240	3600kg
2870	1500	1740	2265	1965	1733	1697	250	290	4000kg
2912	1800	2060	2265	2350	2060	2020	250	380	5700kg

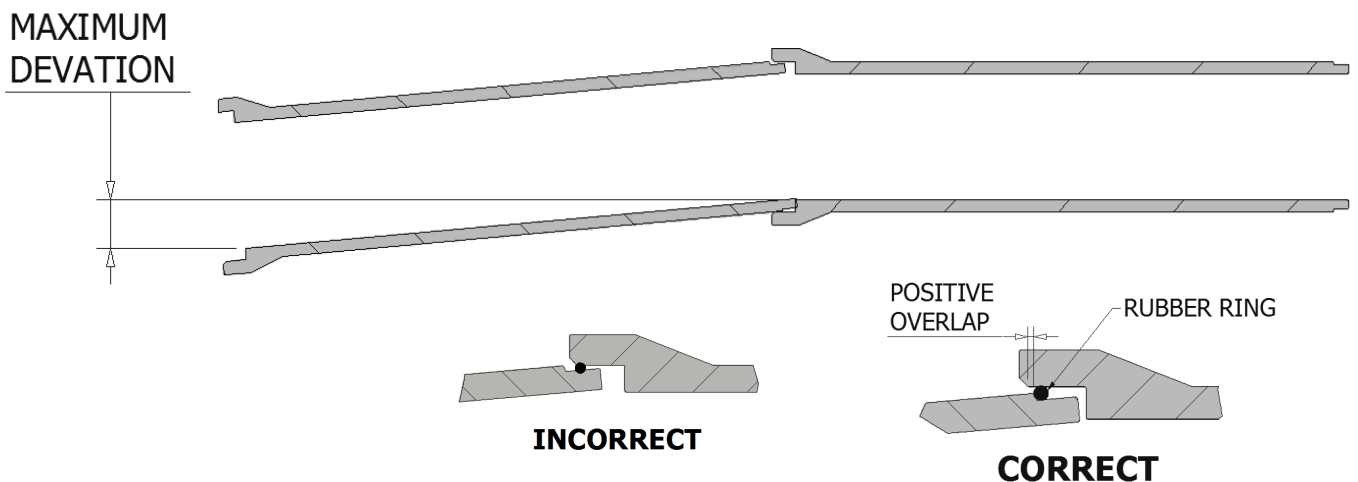
PIPE JOINT DEVIATIONS

PIPE SIZE	PIPE LENGTH	MAX. DEVIATION AT 100KPA PRESSURE
300	2450	65
375	2450	65
400	2450	65
450	2450	55
525	2450	46
600	2450	40
700	2450	28
750	2450	27
800	2450	26
900	2450	25
1050	2450	23
1200	2450	23
1350	2450	23
1500	2450	21
1650	2450	20
1800	2450	20

NOTES:

PRESSURE PIPE - The maximum deviation, at 100kPa, is at the dimension shown. Larger deviations or greater pressure is possible, contact Bruno Altin & Co. for assistance and advice. For greater pressures deviation would become less, ie. maximum pressure possible would be with pipes in a straight line.

DRAINAGE PIPE - Maximum deviation can be achieved so long as pipes have a positive overlap as shown. Maximum deviation, for drainage pipe only, is possible up to twice as indicated for pressure pipe. Contact Bruno Altin & Co. for further information.



APPROX. PIPE CULVERT FLOWS

DIAMETER

DISCHARGE

MM	INS	RICE WHEEL REVS	CUMECS	ML PER DAY	CUSECS
250	10	2.6	0.04	3.3	1.4
300	12	3.7	0.055	4.8	2.0
350	14	5.0	0.07	6.5	2.7
375	15	6.6	0.096	8.49	3.49
400	16	7.5	0.11	9.5	3.9
450	18	10.0	0.145	12.5	5.0
525	21	13.5	0.2	17.5	7.0
600	24	18.0	0.27	23.0	9.5
700	28	25.0	0.37	32.0	13.0
750	30	28.5	0.43	37	15.66
800	32	33.0	0.49	42.1	17.3
900	36	41.8	0.62	53.3	21.9
1050	42	56.8	0.84	72.5	29.8
1200	48	74.2	0.87	94.7	38.9
1350	53	93.9	1.1	119.8	49.2
1500	60	115.9	1.36	147.9	60.7
1800	72	165.1	2.46	212.9	86.9

Length of Culvert less than 20m

Head difference 100mm

CONVERSION FACTORS (FLOWRATES)

Rice Revs x 1.29 = megalitres/day

Cumecs (m/sec) x 86.4 = megalitres/day

Acre feet/day x 1.233 = megalitres/day

Cusecs (ft/sec) x 2.45 = megalitres/day

Rev = 1.29 ml/day = 15 litres/sec

Rev x 15 = litres/sec

Large Dethridge Outlet