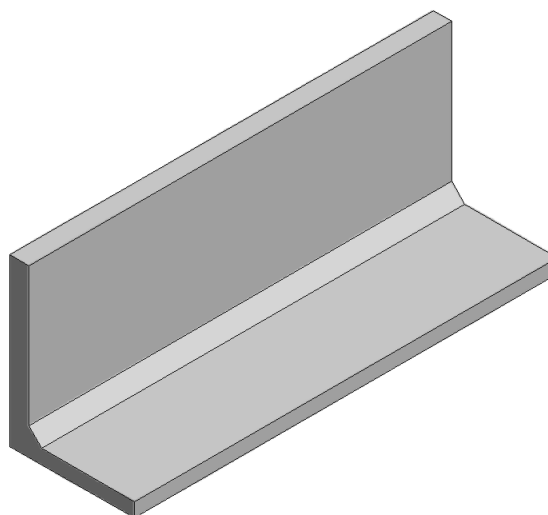
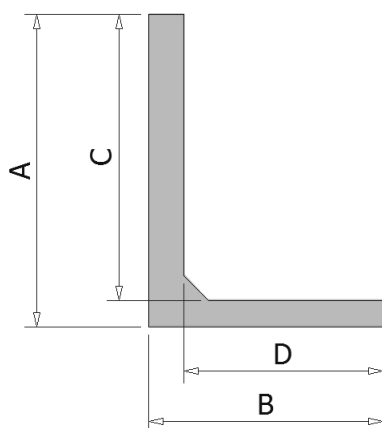
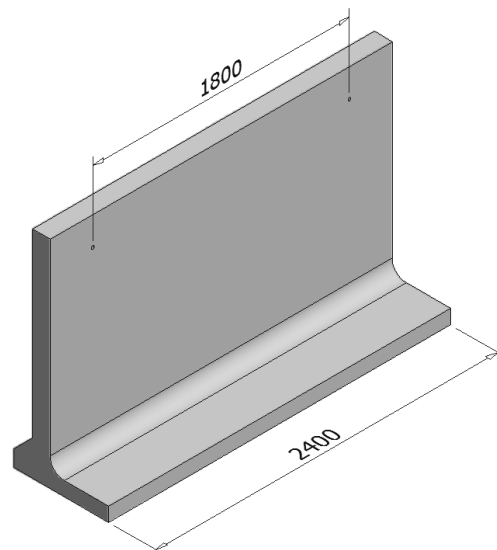
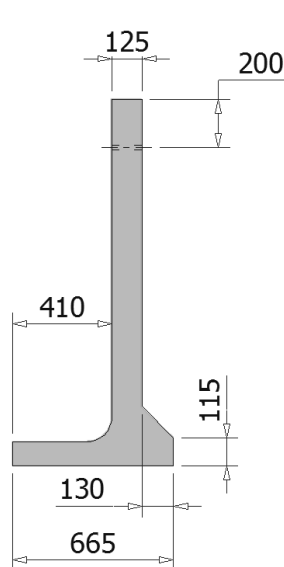


# RETAINING WALLS

- Used for soil retention & grain storage.
- Custom sizing can be made to order.
- Can also be used for loading ramps.



CODE	PRODUCT	A	B	C	D	LENGTH	APPROX. WEIGHT
5010	90cm x 30cm x 2.4m	940	405	860	300	2.4m	365kg
5020	90cm x 45cm x 2.4m	940	555	860	450	2.4m	545kg
5030	90cm x 60cm x 2.4m	940	705	860	600	2.4m	725kg
5040	1.2m x 30cm x 2.5m	1180	425	1078	300	2.5m	485kg
5050	1.2m x 45cm x 2.5m	1180	575	1078	450	2.5m	725kg
5060	1.2m x 60cm x 2.5m	1180	725	1078	600	2.5m	965kg
5070	1.2m x 90cm x 2.5m	1180	1025	1078	900	2.5m	1450kg
1400	1.5m x 41cm x 2.4m	1515	665	1415	410	2.4m	1600kg