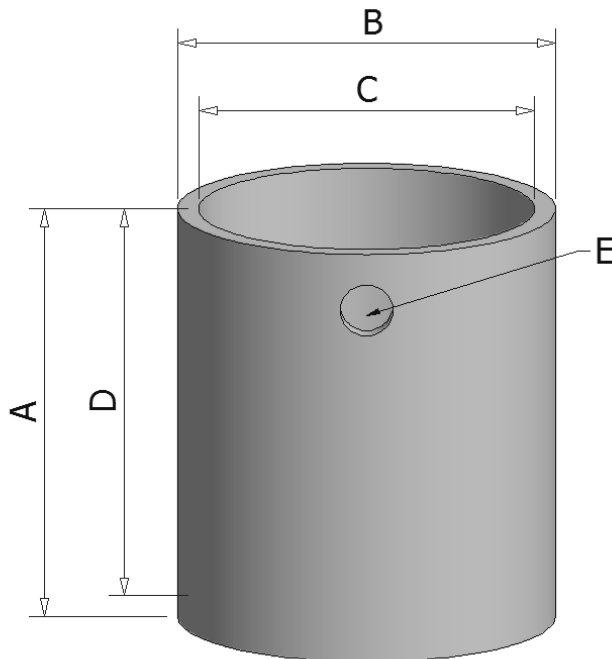
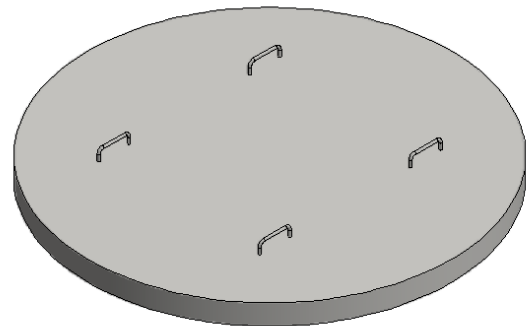
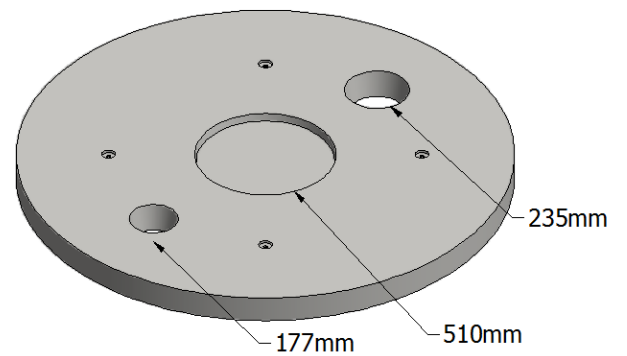
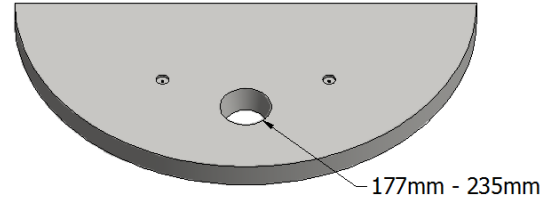


SEPTIC TANKS

- Tanks range in size from 1220L to 4500L capacity with extensions available for most sizes.
- Suitable for the reception and treatment of sewage & silage for households.
- Can also be used in an irrigation recycling system.
- Available with various lid styles to suit.



Example Lids



| CODE | CAPACITY | A MM | B MM | C MM | D MM | APPROX WEIGHT. | LID CODE |
|------|----------|---------|---------|---------|---------|-------------------|-------------|
| 1270 | 1220L | 1800 | 1200 | 1070 | 1690 | 1290kg | 1320 |
| 1260 | 1700L | 1950 | 1360 | 1220 | 1830 | 1690kg | 1310 |
| 1250 | 2300L | 2150 | 1505 | 1350 | 2020 | 2340kg | 1300 |
| 1240 | 2700L | 1920 | 1705 | 1500 | 1780 | 3130kg | 1290 |
| 1230 | 4500L | 2300 | 2030 | 1830 | 2150 | 3360kg | 1280 |