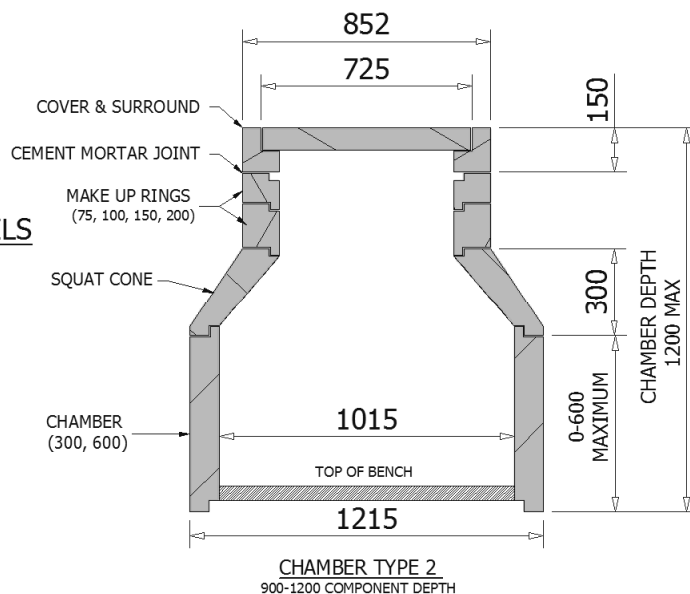
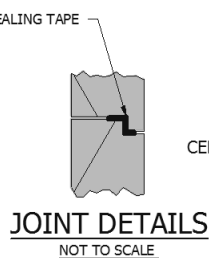
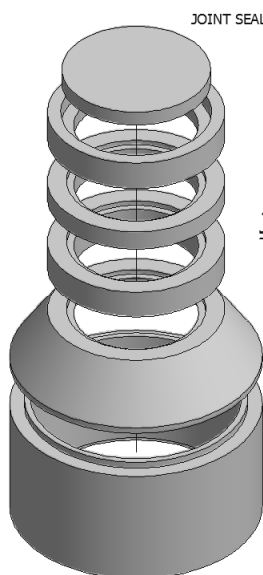
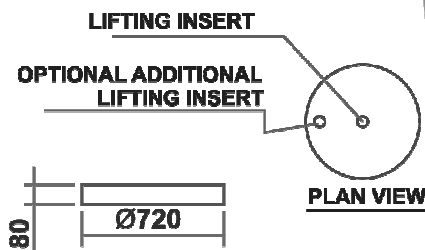
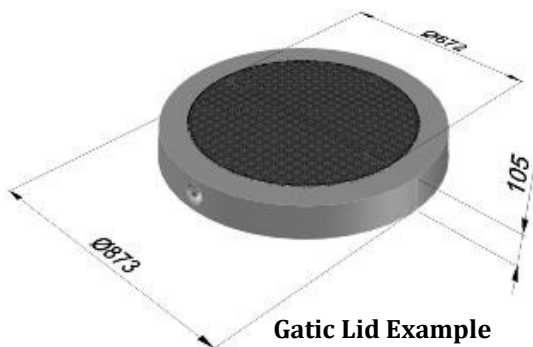
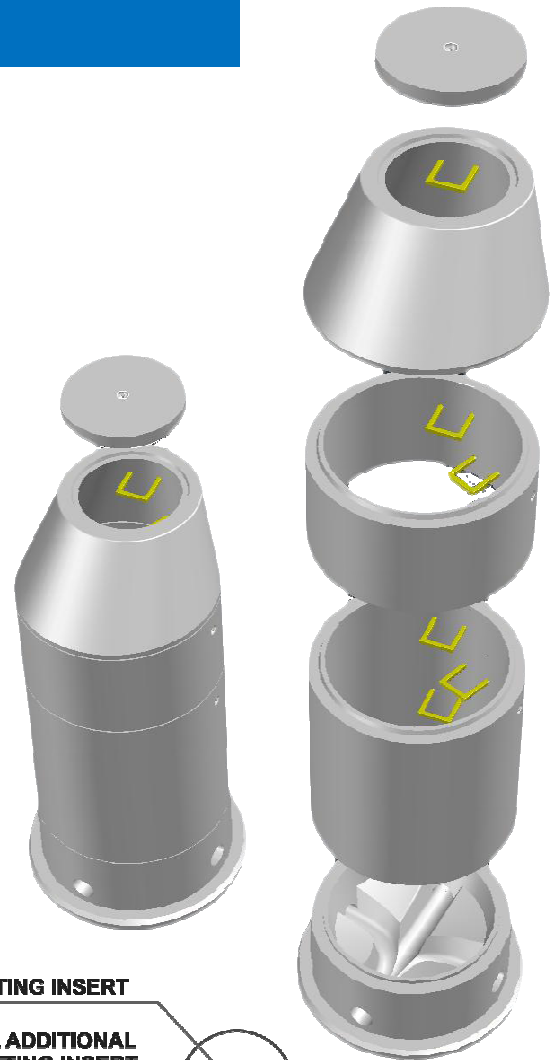


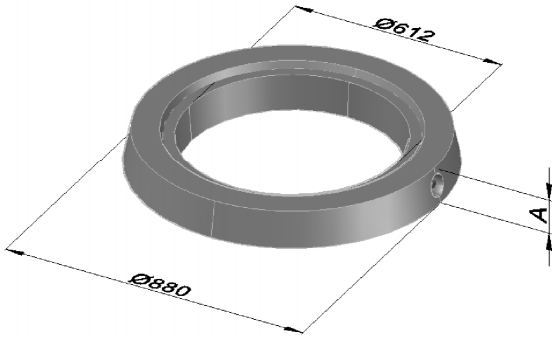
SEWER ACCESS COMPONENTS

- Our sewer Components are made with high strength compressed concrete to cope with corrosive environments.
- Water tight maintenance holes .
- Components fit together easily to create a complete system.
- Pre-configured base chambers are made to suit with either 45 or 90 degree inlet holes.
- Concrete plugs provided for a tight seal when inlet holes not in use.
- Concrete and gatic lids available to suit.
- Bostik seal is used between joins for a water tight seal.
- Components have the option to include steps for ease of access.

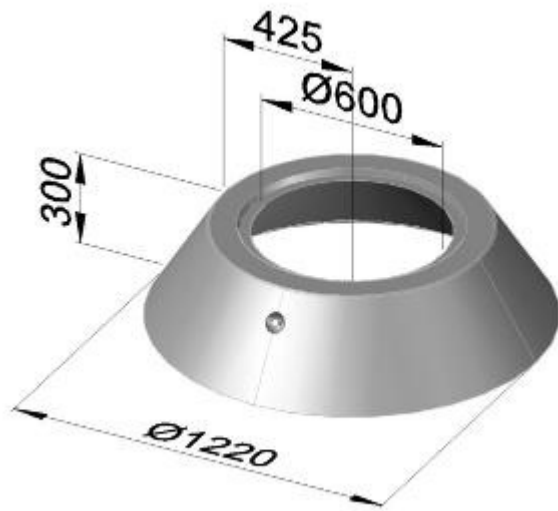


SEWER ACCESS COMPONENTS

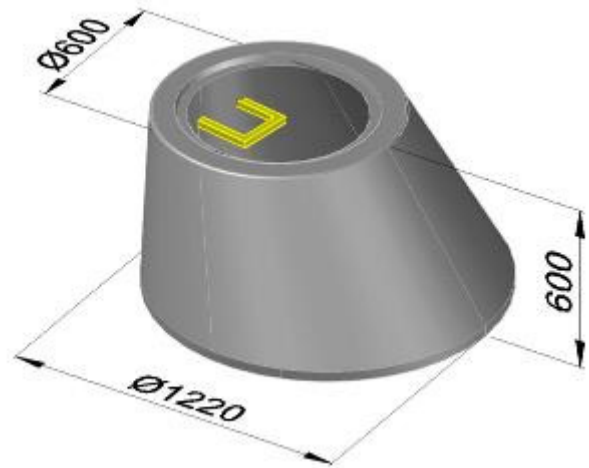
Make Up Ring



CODE	6350	6360	6370	6380
LENGTH mm (A)	75	100	150	200
MAX. MASS kg	50	70	110	140



300mm Squat Cone
Detail

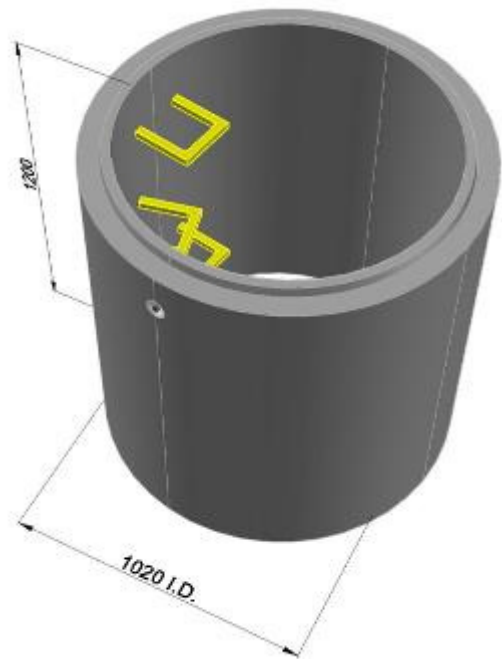
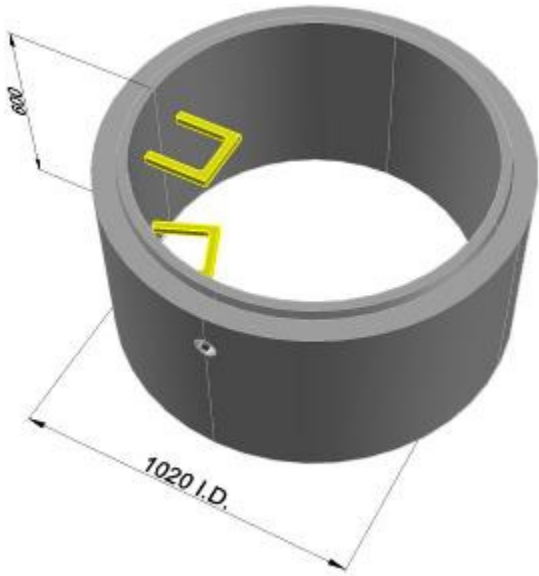


600mm Straight Back
Taper Detail

SEWER CHAMBERS & BASES

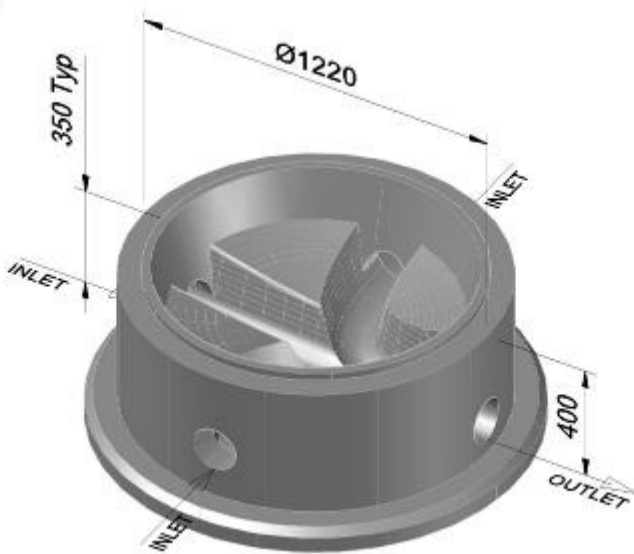
Chamber Examples & Sizes

CODE	6300	6310	6320	6330
LENGTH mm	300	600	1200	1800
MAX. MASS kg	300	600	1200	1800

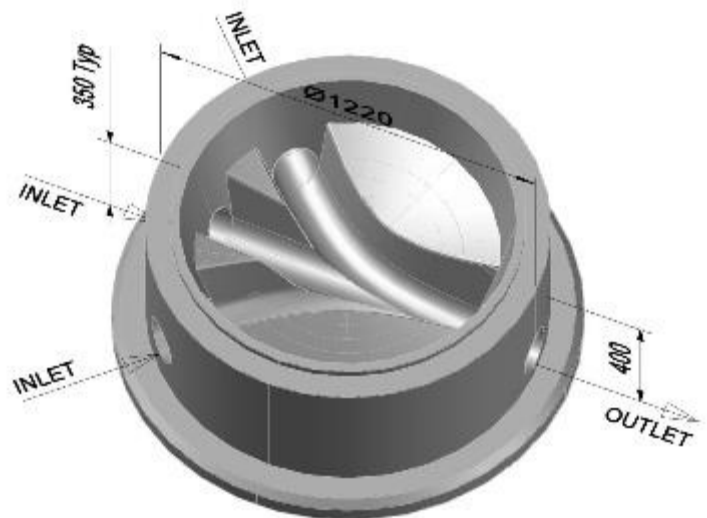


Specification

50mm Difference from Inlet to Outlet
 Rubber flange connector provided
 Pre-cast isolation plugs.
 All outlets and inlets 150mm UPVC



90 degree Base Chamber



45 degree Base Chamber