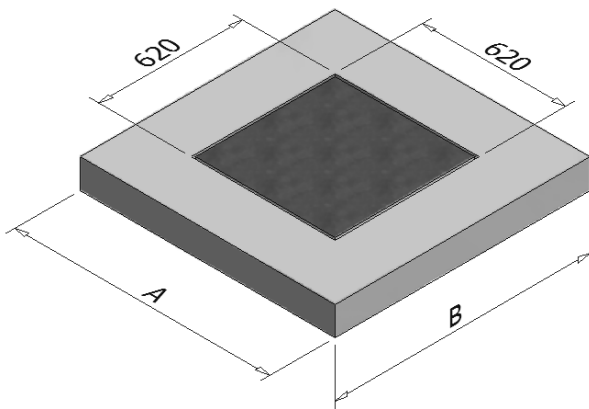
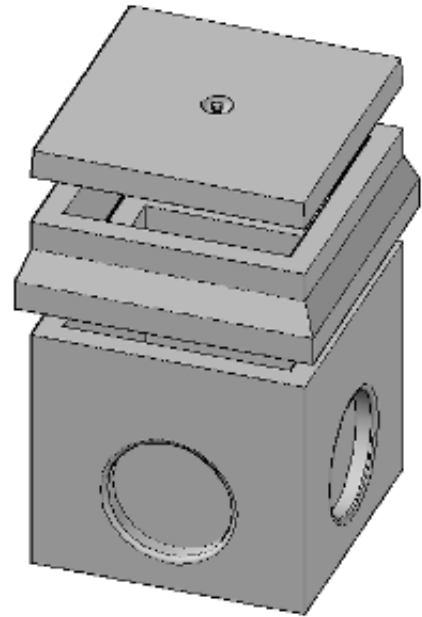
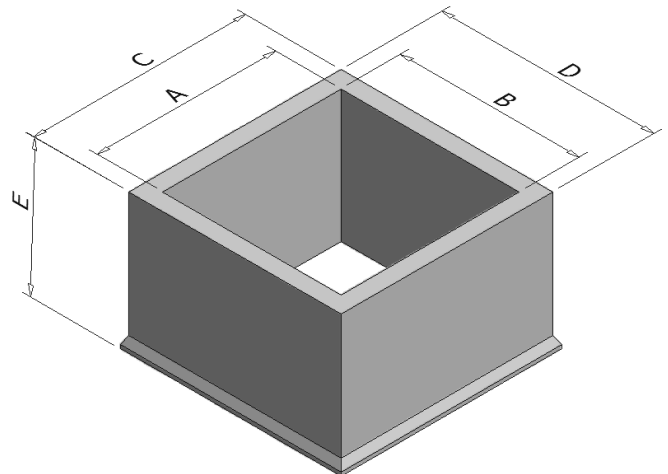


STORMWATER INLET PIT

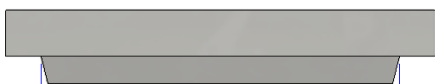
- Suitable for junction pits, grated pits and kerb inlet pits.
- Knockout sections on all 4 sides provide easy pipe connection.
- Can be used as a diversion irrigation system.
- Able to have customized doors fitted to each unit.
- Stackable extensions available for the desired height.
- Multiple lid options including grated, surcharged and plain.
- Lids available in various load class ratings.
- Additional Lids available to those listed.



GATIC LID EXAMPLE



PIT EXTENSION EXAMPLE

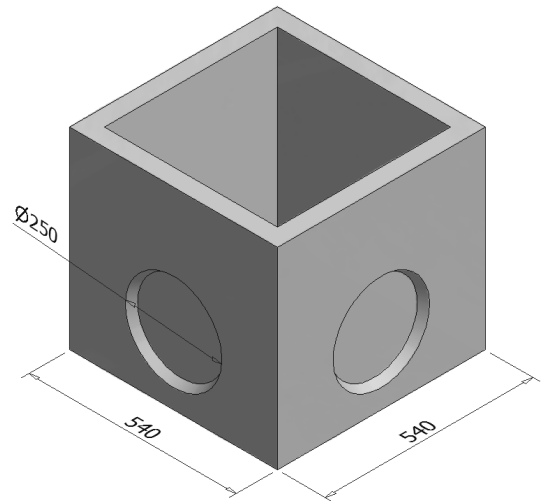
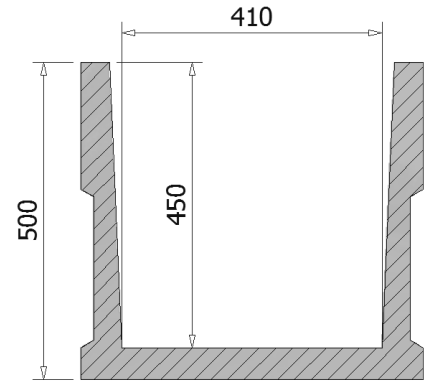


PLAIN LID EXAMPLE

STORMWATER INLET PIT

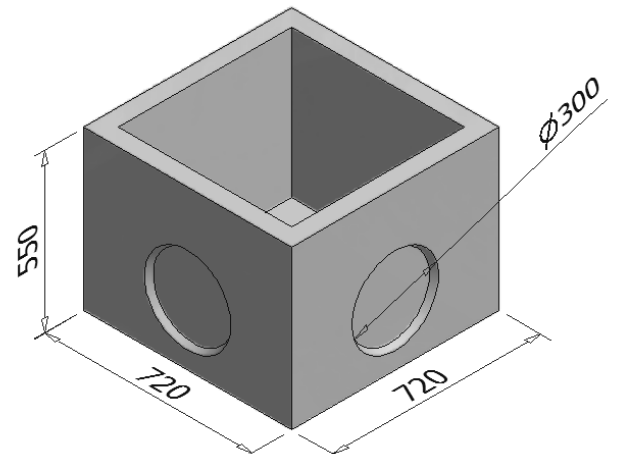
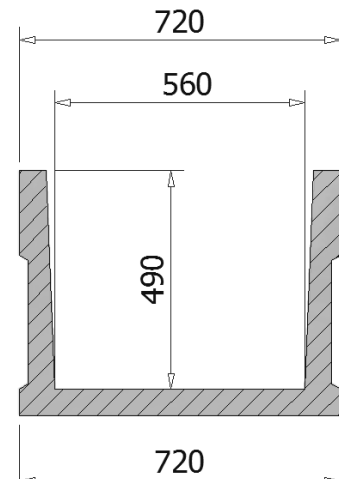
SIZE: ID 450MM (H) X 450MM (W) X 450MM (L)

CODE	PRODUCT	APPROX. WEIGHT
1411	45cm x 45cm x 45cm Pit	130kg
1412	15cm x 45cm x 45cm Extension	50kg
1413	30cm x 45cm x 45cm Extension	80kg
1414	Plain Concrete Lid	60kg
1415	LD Recessed Grate CLA	-
1415B	HD Hinged Grate CLB	-
1416C	HD Hinged Grate CLC	-
1417	HD Recessed Grate CLC	-
1418	45cm x 45cm Grate + surround CLB	-



SIZE: ID 490MM (H) X 600MM (W) X 600MM (L)

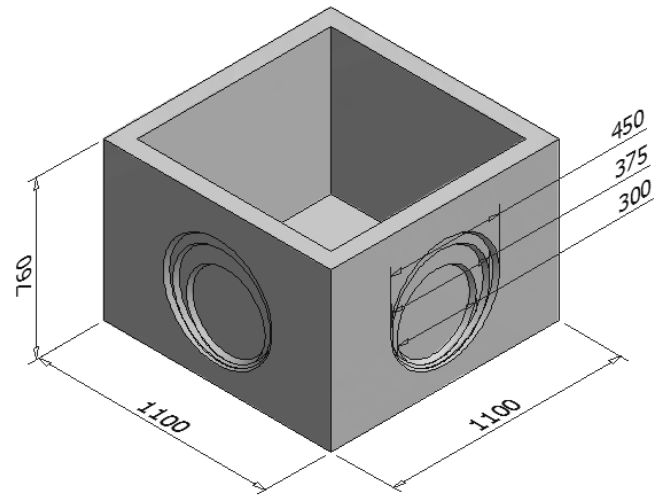
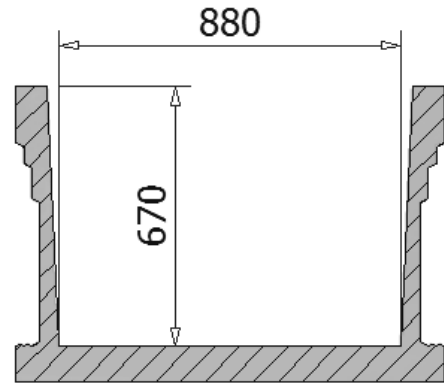
CODE	PRODUCT	APPROX. WEIGHT
1420	49cm x 60cm x 60cm Pit	240kg
1422	15cm x 60cm x 60cm Extension	70kg
1424	30cm x 60cm x 60cm Extension	120kg
1426	53cm x 60cm x 60cm Extension	210kg
1428	Plain Concrete Lid	100kg
1430	Lid with HD Hinged Grate (30cm x 30cm)	80kg
1430S	Lid with Surcharge Grate CLB	-
1432B	Full Grate with Surround CLB	-
1432C	Full Grate with Surround CLC	-
1432D	Full Grate with Surround CLD	-
1432	Full HD Hinged Grate CLB	-
1431	Full HD Recessed Grate CLC	-
1431B	Full LD Recessed Grate CLA	-



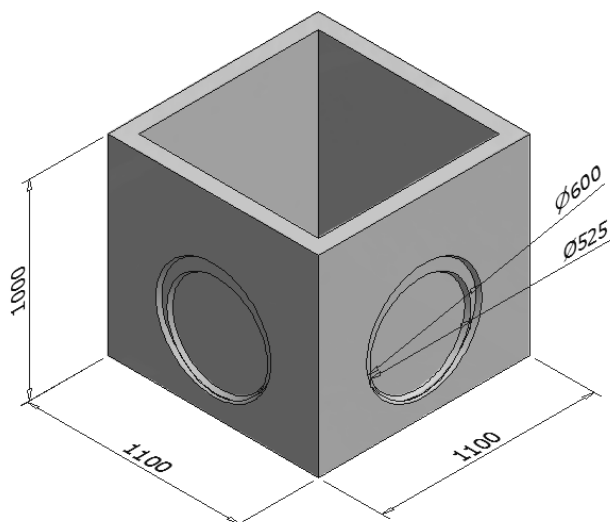
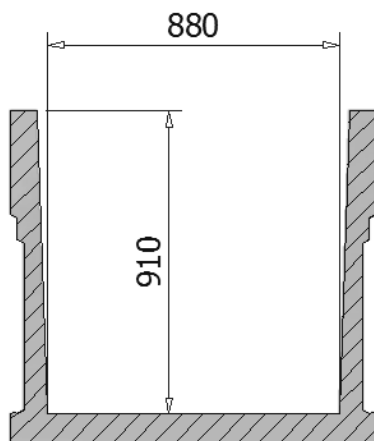
STORMWATER INLET PIT

SIZE: ID 670MM (H) X 900MM (W) X 900MM (L)

CODE	PRODUCT	APPROX. WEIGHT
1435	67cm x 90cm x 90cm Pit	725kg
1435A	91cm x 90cm x 90cm Pit	840kg
1436	15cm x 90cm x 90cm Extension	150kg
1437	30cm x 90cm x 90cm Extension	280kg
1438	45cm x 90cm x 90cm Extension	405kg
1438A	60cm x 90cm x 90cm Extension	520kg
1439	78cm x 90cm x 90cm Extension	635kg
1440	Plain Concrete Lid 100mm thick	285kg
1440B	Lid with 45cm Gatic CLB 100mm thick	-
1440D	Lid with 45cm Gatic 125mm thick	-
1441	Plain Concrete Lid 125mm thick	-
1446	Lid behind Lintel (20cm x 110cm)	40kg
1444	S01 HD V-Grate with surround	-
1445	Lid HD Hinged Grate (60cm x 60cm) CLB	210kg
1445S	Lid with Surcharged Grate CLB	210kg
1448	Full LD Recessed Grate CLA	-
1442	Full Grate with Surround CLC	460kg
1443	Full Recessed Grate CLC	-
1443B	Full Recessed Grate CLB	-
1447	Full HD Hinged Grate CLC	-



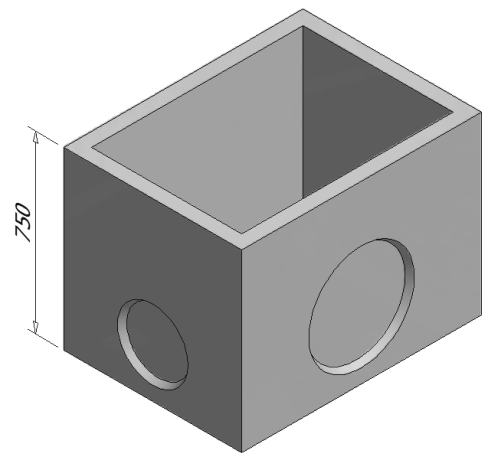
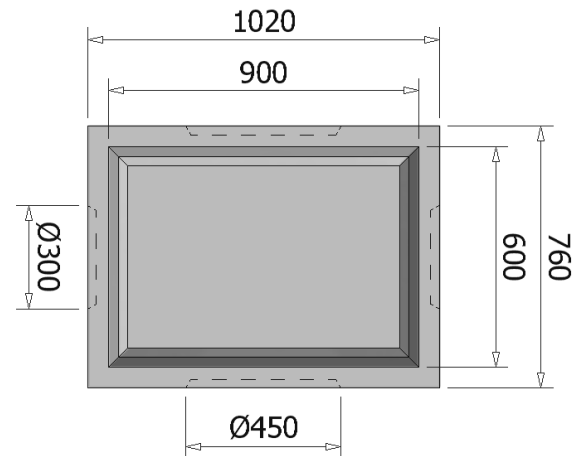
SIZE: ID 910MM (H) X 900MM (W) X 900MM (L)



STORMWATER INLET PIT

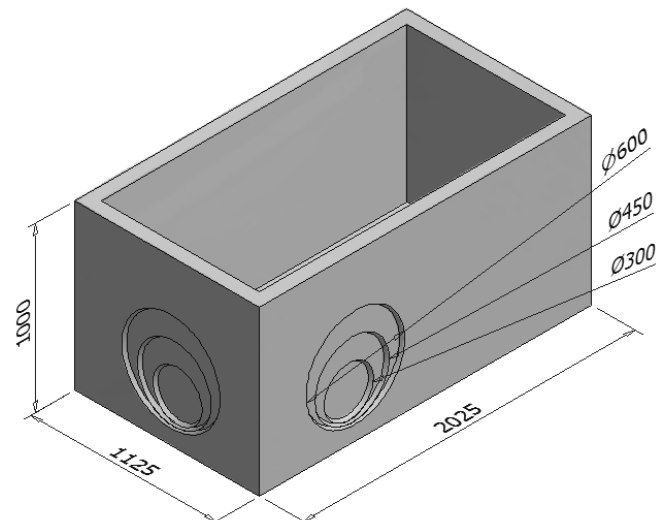
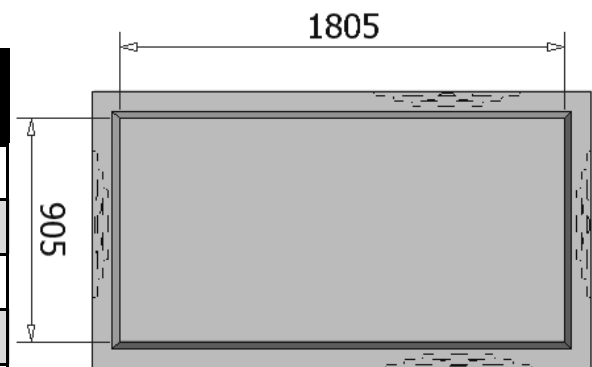
SIZE: ID 670MM (H) X 900MM (W) X 600MM (L)

CODE	PRODUCT	APPROX. WEIGHT
6550	67cm x 90cm x 60cm Pit	520kg
6552	15cm x 90cm x 60cm Extension	-
6554	30cm x 90cm x 60cm Extension	-
6556	60cm x 90cm x 60cm Extension	-
6558	Plain Concrete Lid	-
6560	Lid with 45cm x 45cm Grate CLB	-
6562	Lid with 45cm x 75cm Grate CLB	-



SIZE: ID 910MM (H) X 900MM (W) X 1800MM

CODE	PRODUCT	APPROX. WEIGHT
1453	91cm x 90cm x 1.8m Pit	1535kg
1455	15cm x 90cm x 1.8m Extension	200kg
1456	30cm x 90cm x 1.8m Extension	395kg
1457	45cm x 90cm x 1.8m Extension	565kg
1458	60cm x 90cm x 1.8m Extension	735kg
1459	90cm x 90cm x 1.8m Extension	1085kg
1460	1.8m Half Lid -Plain Behind Lintel	305kg
1461	Full Plain Concrete Lid—100mm thick	600kg
1461A	Full Plain Concrete Lid—125mm thick	750kg
1462	1.8m HD with Hinged Grate 60cm x 60cm	-
1463	LD Full Recessed Grate CLA	-
1465	U-Shaped Extension 27cm Behind Lintel	180kg
1467	Behind Dish Drain Grate 115cm x 140cm	-



STORMWATER INLET PIT

SIZE: ID 1200MM (H) X 1200MM (W) X 1200MM (L)

CODE	PRODUCT	APPROX. WEIGHT
1473	1.2m x 1.2m x 1.2m Pit	1880kg
1475	15cm x 1.2m x 1.2m Extension	240kg
1477	30cm x 1.2m x 1.2m Extension	410kg
1479	60cm x 1.2m x 1.2m Extension	790kg
1481	1.2m x 1.2m x 1.2m Extension	1540kg
1483	Full Plain Concrete Lid—125mm thick	620kg

