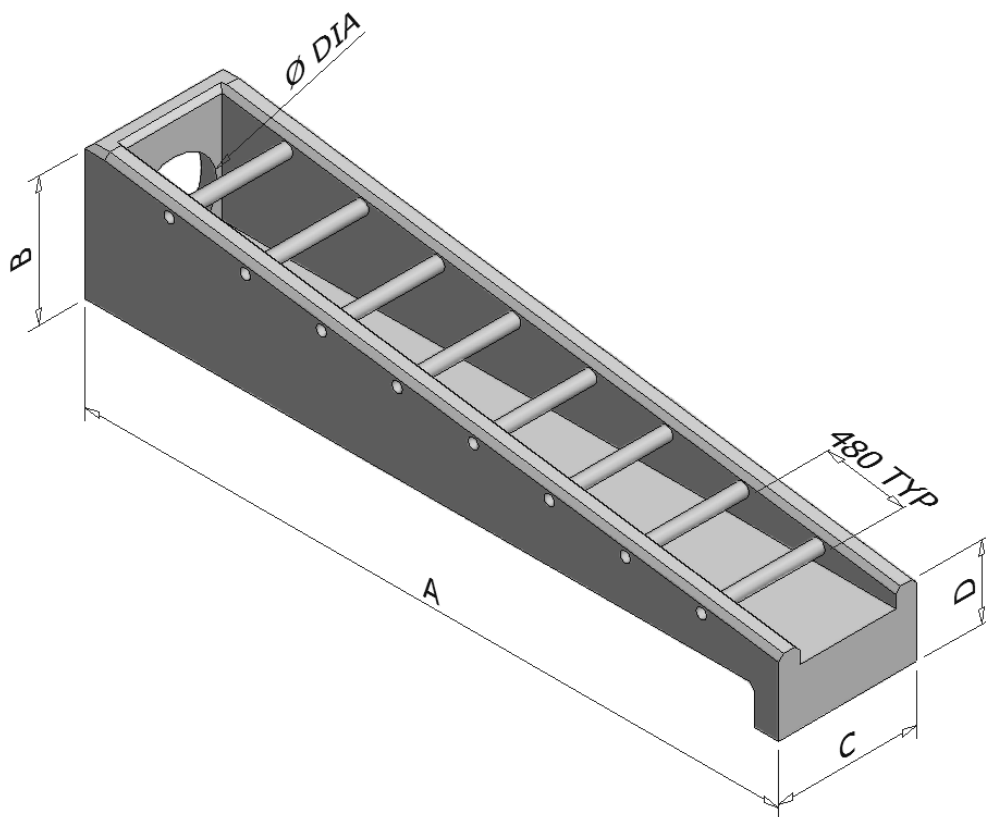


TRAFFICABLE HEADWALLS

- Minimises hazard on shoulder of roads without compromising the batter of the soil.
- Generally used by Roads & Maritime Services and Shire Councils across Australia.
- Sizes range to suit 300mm to 525mm inside diameter pipes.



CODE	PIPE ID	A MM	B MM	C MM	D MM	APPROX. WEIGHT
2130	300	2705	655	675	460	1140kg
2135	375	2710	655	675	460	1120kg
2140	450	4340	840	860	460	2550kg
2145	525	4330	840	860	460	2490kg