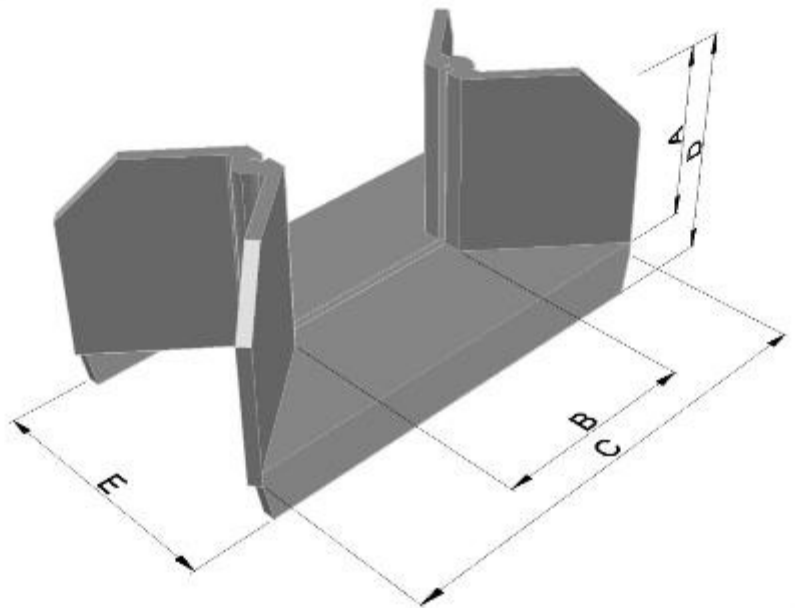


V SHAPED BOX WATER STOPS

- Large range of sizes.
- Helps to eliminate water wastage
- Able to take a steel door in a neoprene seal or wooden boards/steel slats for overflow control.
- These units are also available with steel doors or winch control tarp systems modified to incorporate the NEW solar powered 'wireless automated control system' that can monitor and control the stop straight from your smart phone.



CODE PLAIN/ RUBBER	DEPTH X WIDTH	A	B	C	D	E	BOARD SIZE LENGTH X THICKNESS	APPROX. WEIGHT	ML PER DAY
530/540	45cm x 55cm	450	550	1070	650	640	620mm x 25mm	190kg	8.3
550/560	52.5cm x 60cm	525	600	1260	735	750	670mm x 25mm	290kg	10.49
570/580	52.5cm x 65cm	525	650	1235	750	750	720mm x 25mm	310kg	11.35
590/600	55cm x 80cm	550	800	1320	760	770	870mm x 25mm	300kg	13.84
610/620	60cm x 75cm	600	750	1500	885	870	820mm x 25mm	360kg	14.13
630/640	60cm x 90cm	600	900	1450	820	820	970mm x 25mm	350kg	20.17
650/660	65cm x 70cm	650	700	1440	885	950	770mm x 25mm	450kg	14.23
670/680	65cm x 1.0m	650	1000	1700	880	940	1080mm x 25mm	520kg	24.41
690/700	70cm x 90cm	700	900	1700	940	950	970mm x 25mm	540kg	23.6
710/720	90cm x 1.0m	900	1000	2200	1180	1265	1080mm x 35mm	990kg	33.71
730/740	1.0m x 1.2m	1000	1200	2450	1310	1400	1275mm x 35mm	1400kg	44.95
-/742	1.5m x 1.05m	1500	1050	3200	2015	2000	1120mm x 35mm	3600kg	69.17
744/-	1.5m x 1.6m	1500	1600	3900	2000	1915	1675mm x 35mm	4100kg	105.4