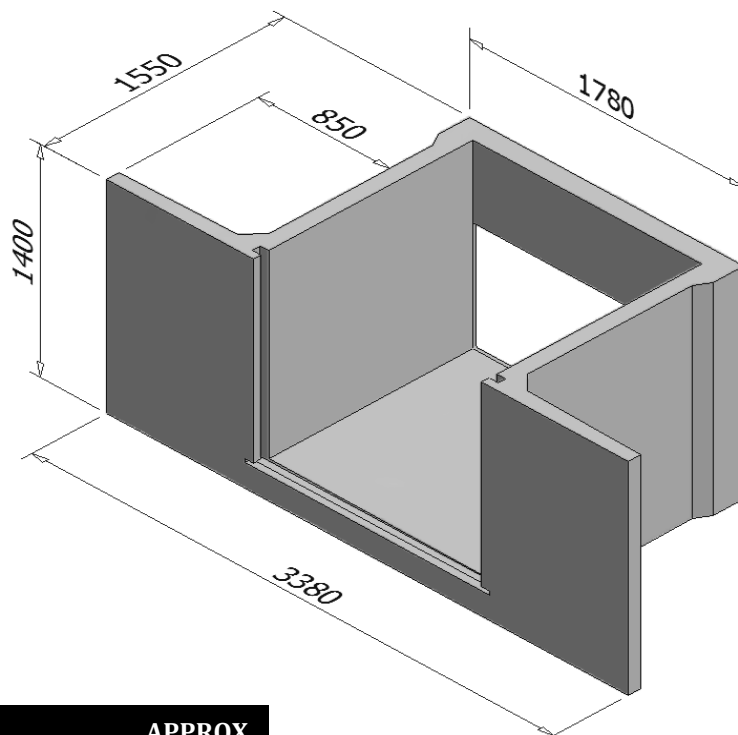


WATER CHANNEL HEADWALLS

- Large wings to prevent erosion from turbulence.
- These units are also available with steel doors or winch control tarp systems modified to incorporate the NEW solar powered 'wireless automated control system' that can monitor and control the stop straight from your smart phone.
- Also available with steel slats.
- Interlock with concrete channel systems.
- Easy installation
- Able to carry 72MGL with minimal head loss.
- Ideal for large bank less channel roll over systems.
- Also available in smaller sizes upon request.



CODE	PRODUCT	APPROX. WEIGHT
178	1.5m x 1.25m Plain Channel Headwall	3000kg
179	1.5m x 1.25m Board Control Channel Headwall	3000kg
181	1.5m x 1.25m Winch Control Channel Headwall	3000kg
180	1.5m x 1.25m Solar Electric Winch Channel Headwall	3000kg

