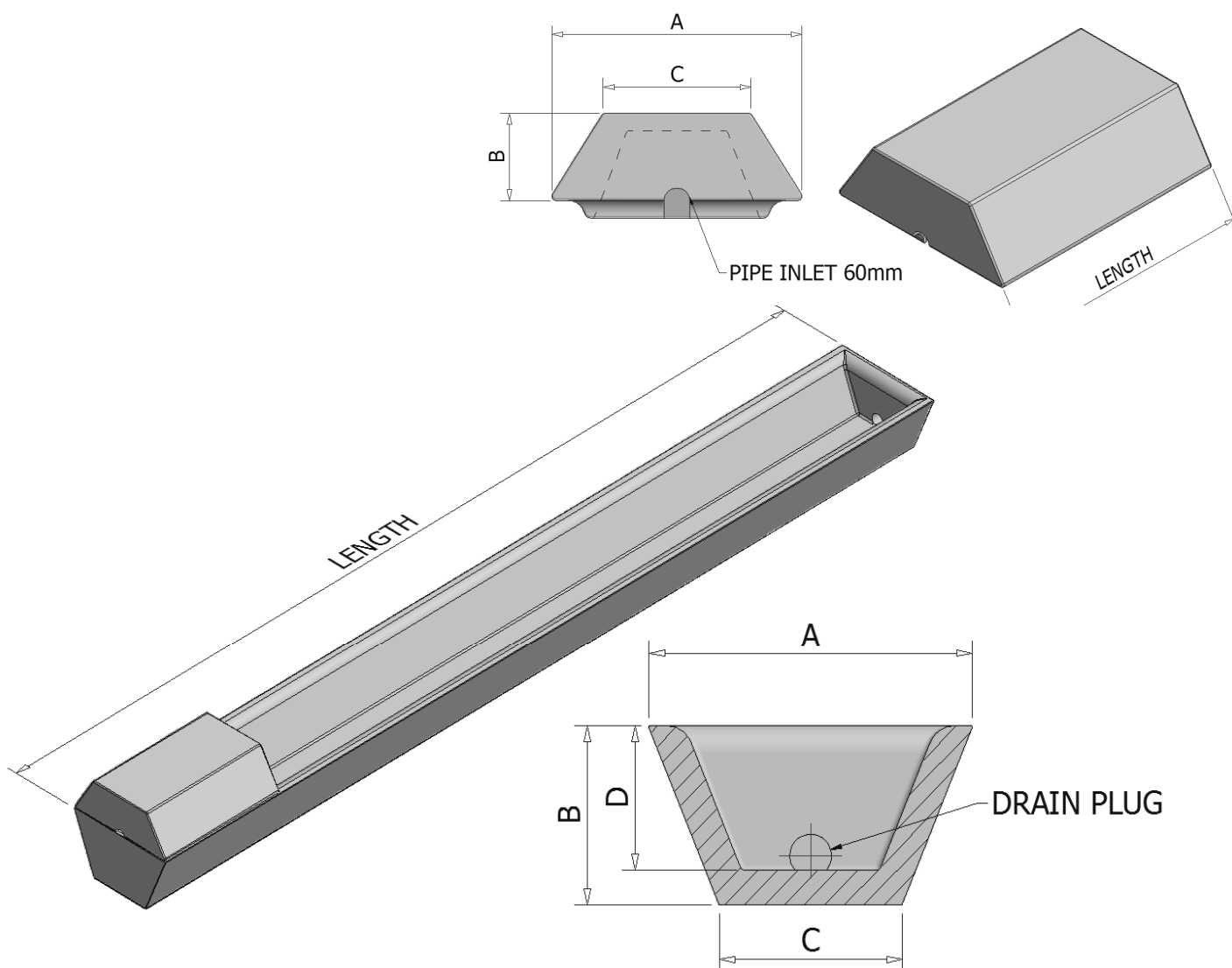


# WATER TROUGH

- Units have a non-slip float valve cover for protection from stock.
- Brass drain plug is installed for easy cleaning
- Flat base design alleviates the necessity for additional stands, creating a more stable unit.

## LID DETAIL

CODE	TO SUIT	A	B	C	LENGTH	APPROX. WEIGHT
170	180L	450	250	285	740	70kg
165	450L	560	260	335	745	80kg
160	560L	670	260	385	775	110kg



CODE	SIZE	A	B	C	D	LENGTH	APPROX. WEIGHT
140	180L	430	260	300	205	2515	280kg
130	450L	590	300	325	230	4870	640kg
120	560L	670	360	400	280	5165	890kg