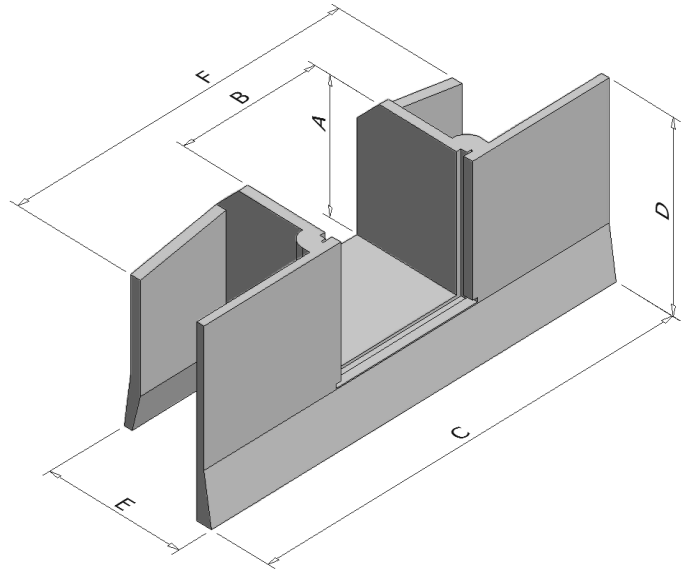


WINGED 'L' WATER STOP

- Stops erosion & effects of swirling
- Self cleaning groove to remove debris from your door slide.
- New extended rear wings for added stability.
- Deeper sides to help reduce wash outs.
- Helps to eliminate water wastage
- Able to take a steel door in a neoprene seal or wooden boards/steel slats for overflow control.
- These units are available with steel doors or winch control tarp systems with the NEW solar powered 'wireless automated control system' that can monitor and control the stop straight from your smart phone.



| CODE | DEPTH & WIDTH | A | B | C | D | E | F | BOARD SIZES LENGTH X THICKNESS | APPROX. WEIGHT |
|---------|---------------|-----|------|------|------|------|------|-----------------------------------|-------------------|
| 430/440 | 40cm x 45cm | 400 | 450 | 1250 | 560 | 420 | - | 510mm x 25mm | 125kg |
| 450/460 | 50cm x 60cm | 500 | 600 | 1620 | 650 | 500 | 1020 | 660mm x 25mm | 215kg |
| 470/480 | 60cm x 80cm | 600 | 800 | 2020 | 810 | 640 | 1290 | 865mm x 25mm | 390kg |
| 490/500 | 70cm x 90cm | 700 | 900 | 2460 | 960 | 780 | 2000 | 980mm x 50mm | 730kg |
| 504/506 | 80cm x 90cm | 800 | 900 | 2690 | 1110 | 1115 | 2420 | 980mm x 50mm | 1150kg |
| 510/515 | 80cm x 1.0m | 800 | 1000 | 2790 | 1100 | 1090 | 2570 | 1090mm x 50mm | 1200kg |
| 517/519 | 90cm x 90cm | 900 | 900 | 3040 | 1210 | 1120 | 2600 | 980mm x 50mm | 1540kg |

| OPENING WINGED 'L' STOP H & W | TYPE | ML PER DAY |
|----------------------------------|-------------|------------|
| 400mm x 450mm | L BOX STOP | 4.57 |
| 500mm x 600mm | WL BOX STOP | 8.86 |
| 600mm x 800mm | WL BOX STOP | 18.24 |
| 700mm x 900mm | WL BOX STOP | 23.6 |
| 800mm x 900mm | WL BOX STOP | 27.2 |
| 800mm x 1000mm | WL BOX STOP | 29.9 |
| 900mm x 900mm | WL BOX STOP | 30.0 |