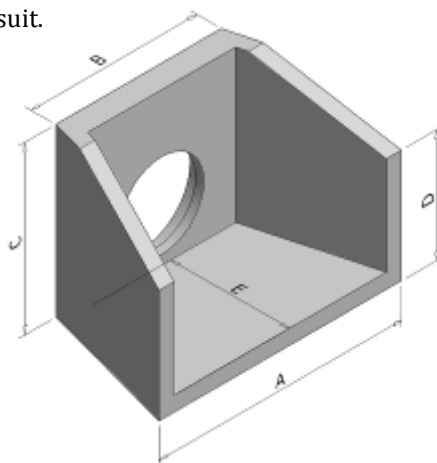
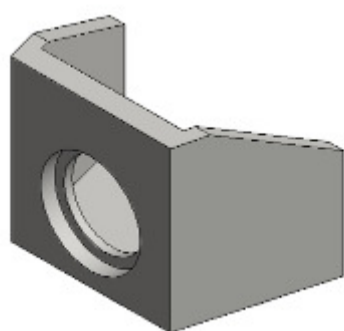


HEADWALL/PIPE END DIMENSIONS

- Wide range of sizes are manufactured to fit from 150mm to 1800mm inside diameter pipes.
- Can be used to eradicate erosion in a lift pump situation.
- Frequently used in access crossings, subdivisions and road works.
- Also available in full neoprene to give a water tight seal able to take a steel door.
- Available with step for board control allows overflow to maintain you channel water level.
- New design has a self cleaning groove to remove debris from door slide.
- Easy pipe installation with either a rubber ring or emer seal eliminating the need for any grouting.
- Multi-cell headwalls available to order.
- Quick lift & A-Frame systems available to suit.



CODE	PIPE INT. DIAM MM	HOLE SIZE MM	A MM	B MM	C MM	D MM	E MM	APPROX. WEIGHT
1493	PVC	150	750	460	400	300	270	105kg
1495	250	310	1030	770	660	460	330	205kg
1510	300	380						
1540	350	420						
1547	375	465						
1551	400	490						
-	300	380	1320	1000	840	580	450	385kg
-	350	420						
1558	375	465						
1561	400	490						
1570	450	545						
1650	450	545	1450	1040	940	670	550	495kg
1680	525	630						
1770	600	715	1700	1200	1140	800	580	700kg
1800	700	830						
1816	750	895	1930	1400	1370	1000	770	1090kg
-	800	920						
1830	825	945						
1860	900	1070	2170	1600	1570	1080	950	1600kg
1890	1050	1210	2350	1700	1900	1300	1040	2250kg
1950	1200	1380	2850	2000	2200	1450	1100	2910kg
1980	1350	1510						
2000	1500	1680						
2010	1500	1680	3700	2450	3000	2150	2150	9000kg
2015	1650	1900						
2025	1800	2000						