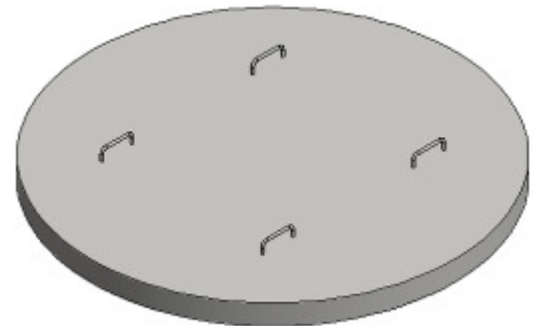
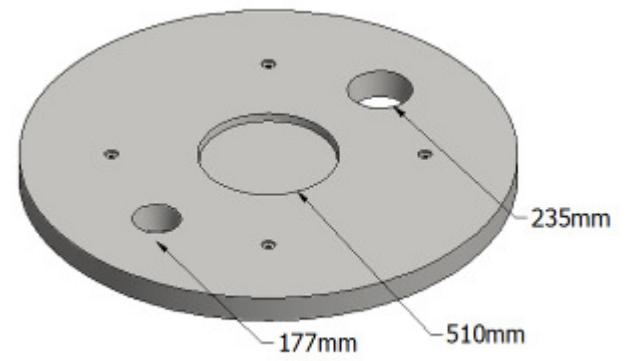
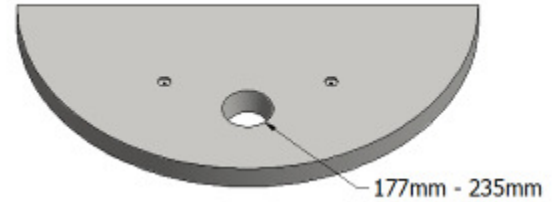
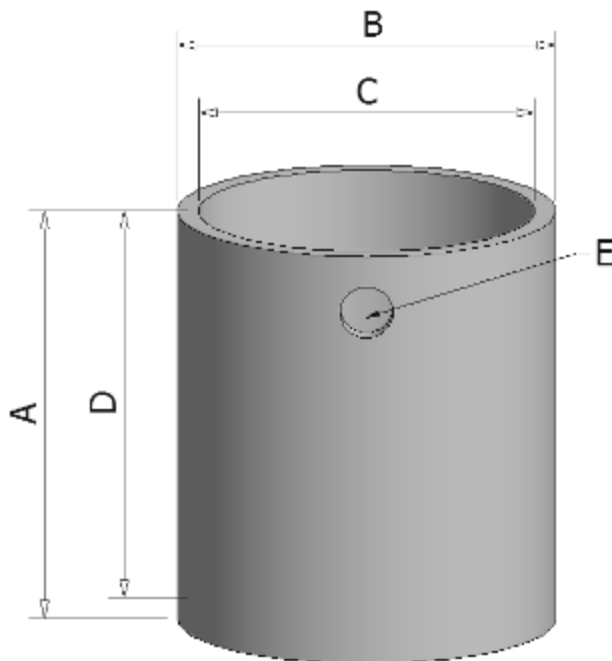


# SEPTIC TANKS

- Tanks range in size from 1220L to 4500L capacity with extensions available for most sizes.
- Suitable for the reception and treatment of sewage & silage for households.
- Can also be used in an irrigation recycling system.
- Available with various lid styles to suit.

## Example Lids



CODE	CAPACITY	A MM	B MM	C MM	D MM	APPROX WEIGHT.	LID CODE
1270	1220L	1800	1200	1070	1690	1290kg	1320
1260	1700L	1950	1400	1220	1830	1690kg	1310
1250	2300L	2150	1505	1350	2020	2340kg	1300
1240	2700L	1920	1705	1500	1780	3130kg	1290
1230	4500L	2300	2030	1830	2150	3360kg	1280